



WEIGHT
CAPACITY
60 Kg



RADIUS
3400 mm



PRESSURE
0.7-0.8 Mpa



VERTICAL LIFT
1700 mm



VERSIONS
COLUMN
FIXED
OVERHEAD
RUNNING
OVERHEAD

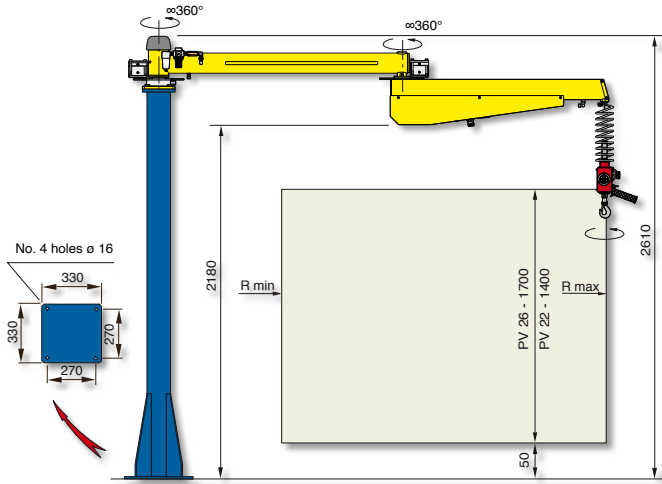
Pneumatic Manipulator **POSIVEL PV** with double cable

POSIVEL PV, generally fitted with a hook, can be equipped with simple gripping tools to allow the handling of light loads in a weightless condition in any direction.

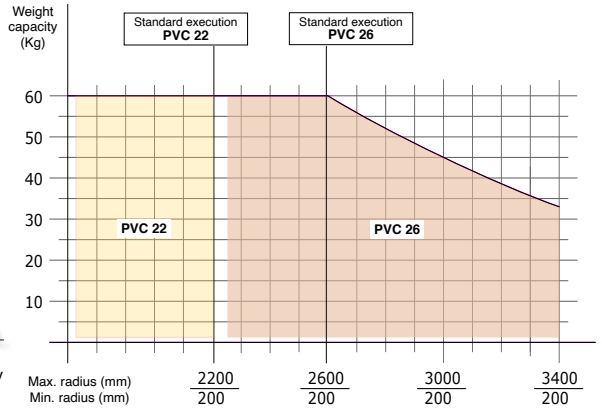
The particular double arm structure and medium joint makes it easy to handle and precise throughout the working area.

POSIVEL® - PV22 PV26

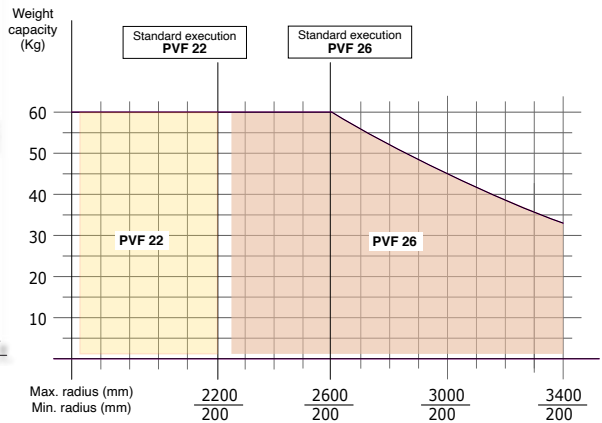
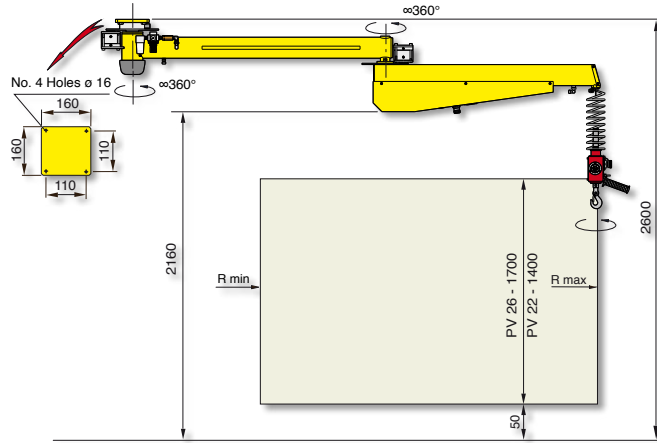
Posivel column mounted - PVC



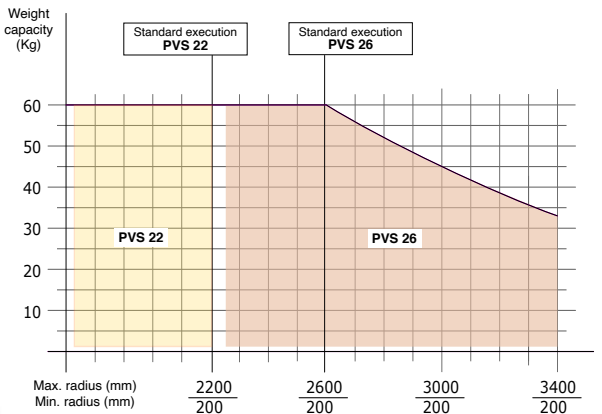
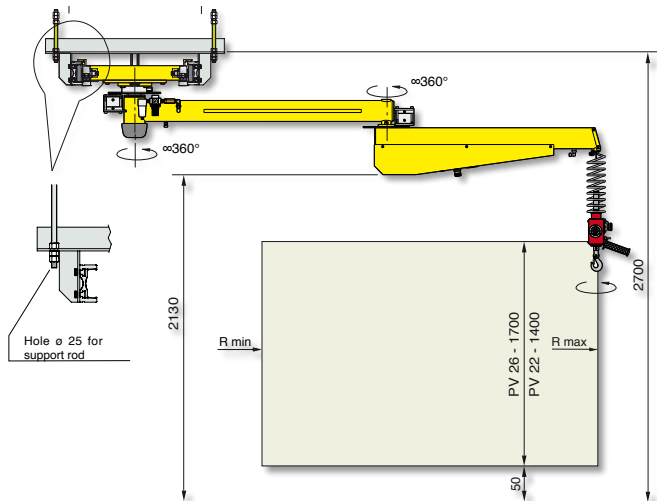
Structural versions: column mounted on fixed base-plate, autostable base-plate of our supply properly dimensioned.



Posivel overhead mounted - PVF



Posivel overhead trolley mounted - PVS



Air supply: dry and oil-free compressed air min. constant 0.7±0.8 MPa