

WEIGHT CAPACITY
80 Kg



RADIUS
2000 mm



PRESSURE
0.7-0.8 Mpa



VERTICAL LIFT
2150 mm



VERSIONS

- COLUMN
- FIXED OVERHEAD
- RUNNING OVERHEAD

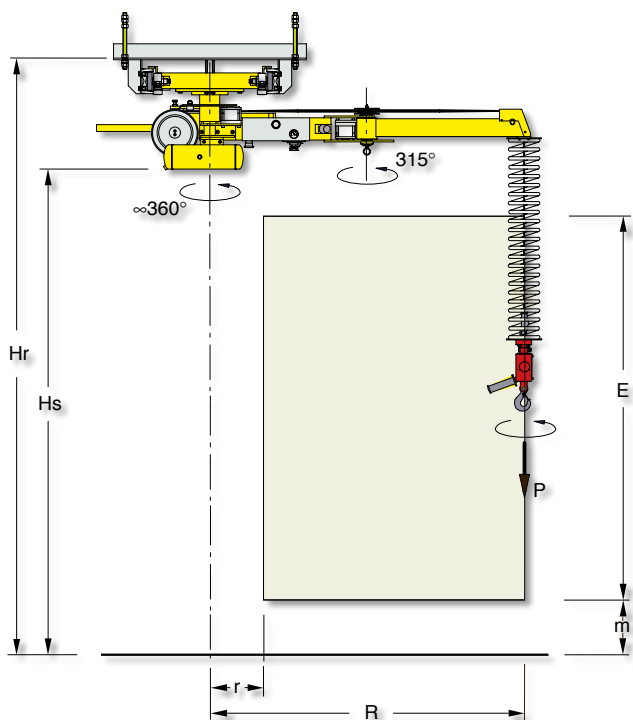
Pneumatic Manipulator **SPEEDYFIL SP** with double cable

SPEEDYFIL SP equipped with simple gripping tools, allows the handling of light loads in a weightless condition, throughout the working area.

SPEEDYFIL[®] - SP

Speedyfil overhead trolley mounted - SPS

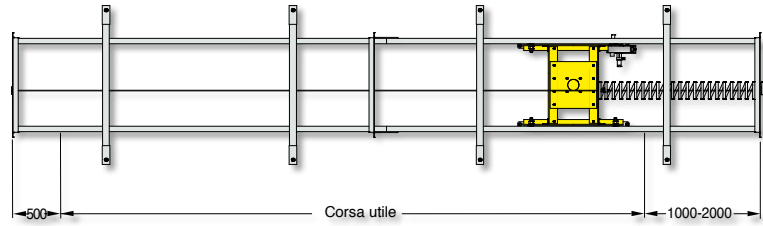
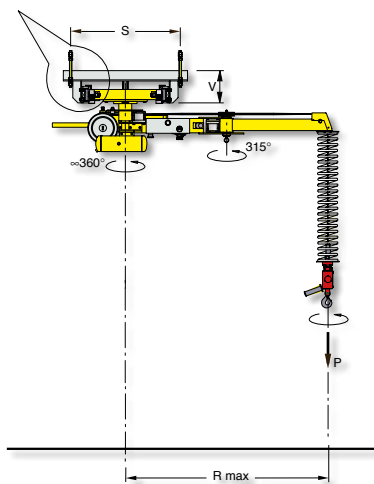
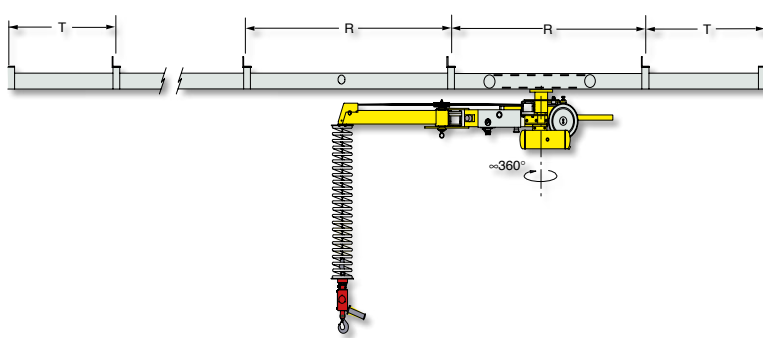
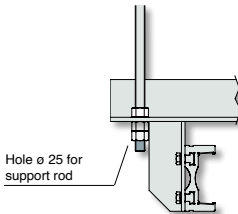
SPEEDYFIL® - SP



SPEEDYFIL overhead trolley mounted "SPS" standard				
Max weight capacity	P	50	80	Kg
Track attachment height	Hr	3030	3030	mm
Overall dimensions	Hs	2500	2500	mm
Min radius	r	680	680	mm
Max radius	R	2000	1400	mm
Vertical lift	E	1650	1650	mm
Min height	m	100	100	mm
Air supply	Dry and oil-free compressed air min. constant 0.7+0.8 MPa			

SPEEDYFIL overhead trolley mounted "SPS" increased vertical lift				
Max weight capacity	P	50	80	Kg
Track attachment height	Hr	3580	3580	mm
Overall dimensions	Hs	3050	3050	mm
Min radius	r	680	680	mm
Max radius	R	2000	1400	mm
Vertical lift	E	2150	2150	mm
Min height	m	100	100	mm
Air supply	Dry and oil-free compressed air min. constant 0.7+0.8 MPa			

Track dimensions		
S	950	mm
R	2000	mm
T	1000	mm
V	220	mm



Configuration and measurements may change upon the Customer's specific requirements

